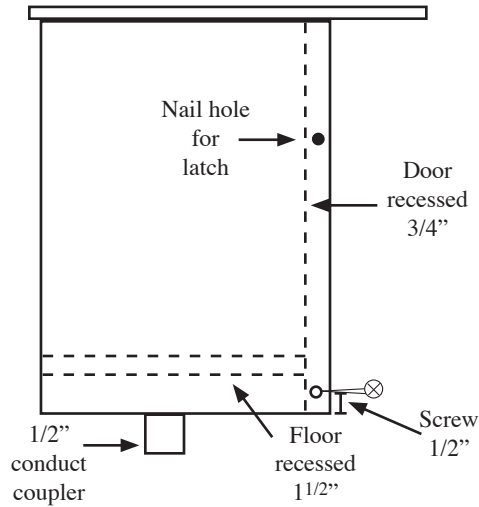


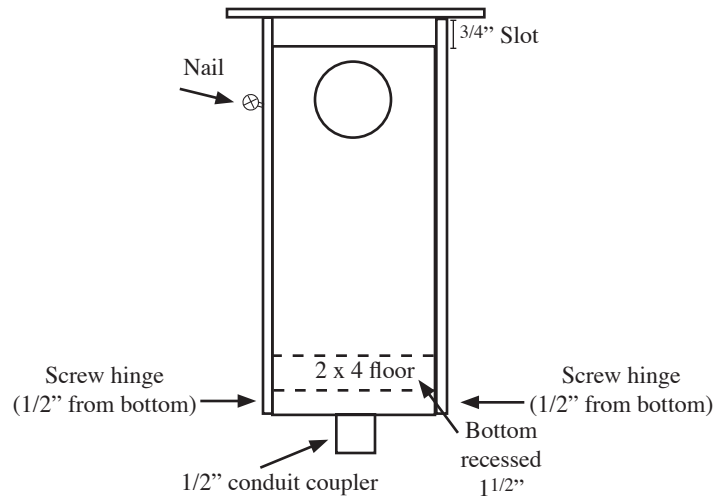


# Eastern Bluebird Nest Box

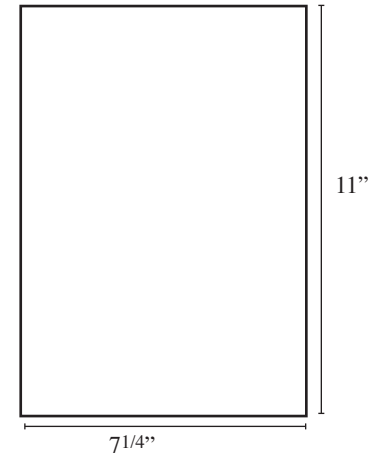
Side view



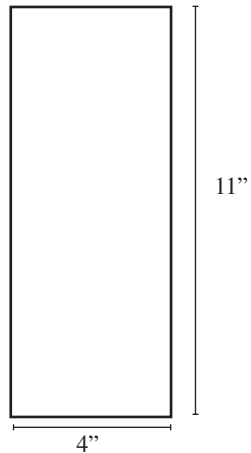
Front view



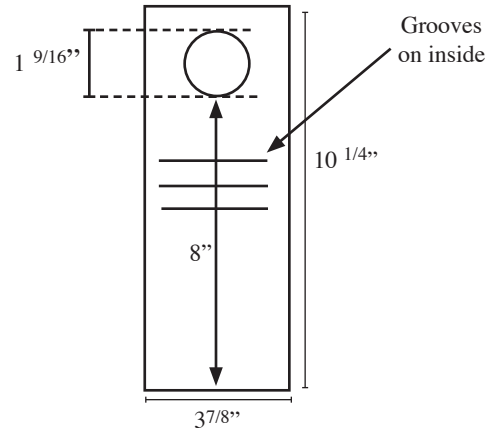
Side (2)



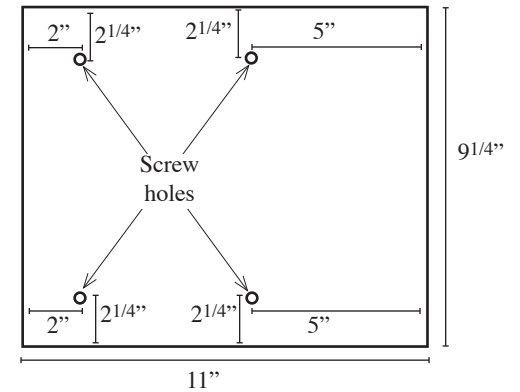
Back



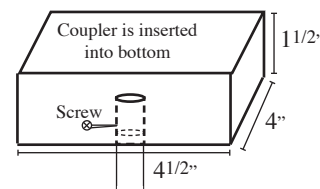
Door



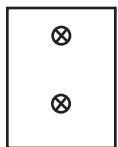
Roof



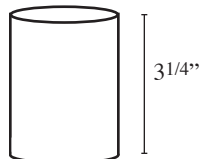
Floor



1/2 Inch Coupler



1/2 Inch Conduit



Conduit/Coupler

